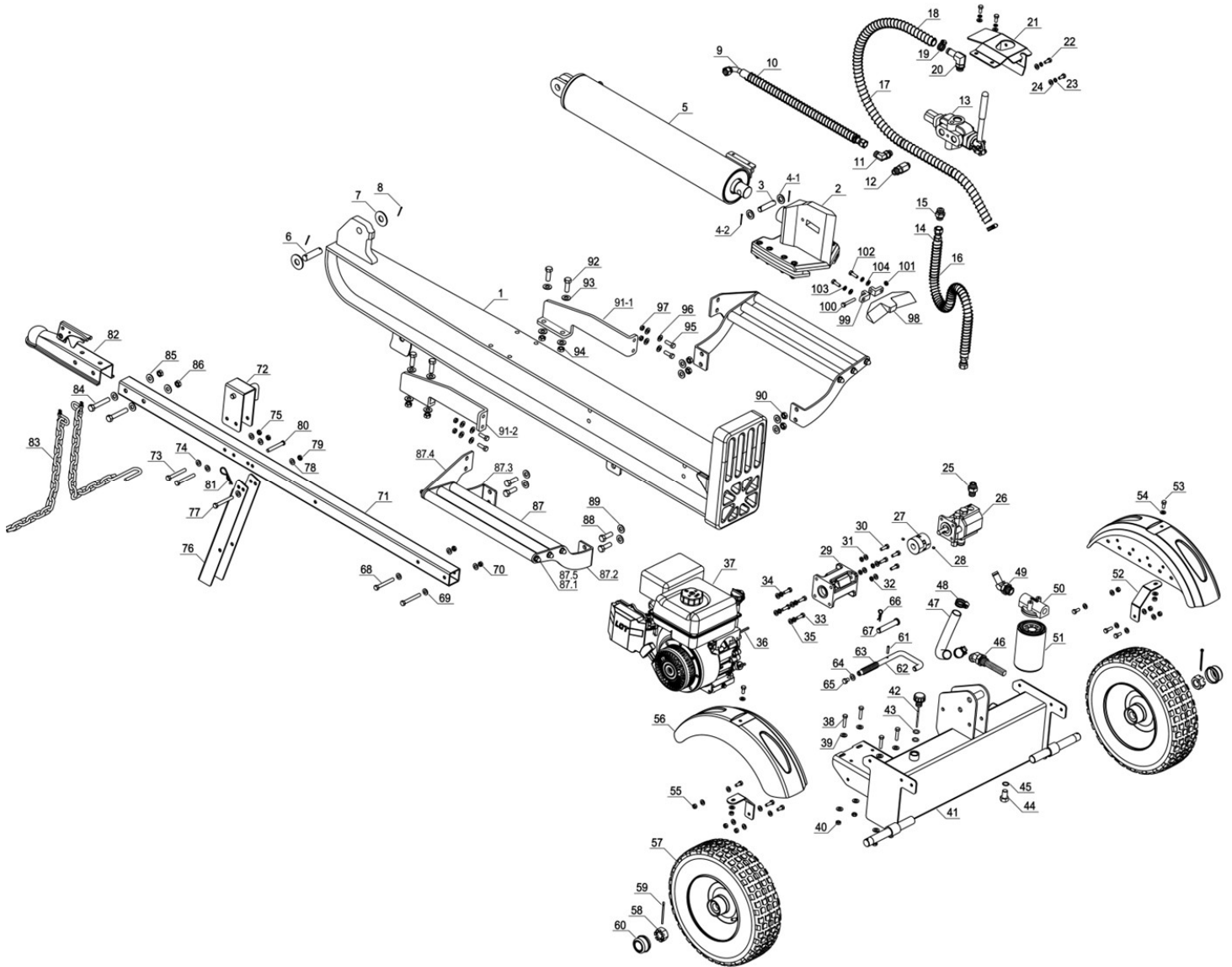


Logsplitters

Spare Parts



OTHER PARTS

Splitter Cover
 125 85.802.090

Oil - 13 Litre Bottle
 125 85.802.091

HITCH
 Part # 85.802.074



4 WAY WEDGE OPTION
 Part # 85.802.038

2 WAY WEDGE PART
 Part # 85.802.061



Convert from single to dual controls
 Part # 85.802.085



Logsplitter

Spare Parts

	Item no.	16T	22T	28T	34T
Hydraulic Pump & Coupling					
Hydraulic Pump	LSTL26		125 85.802.001	125 85.802.001	125 85.802.002
Hydraulic Pump & Hardware Kit (1) Bolt, HCS, 5/16-24x75, Gr5, ZP (4), Washer, Lock, M8 (4), Washer, M8 (4)	HK4		125 85.802.073 HK4-1	125 85.802.048 HK4-2	125 85.802.049 HK4-3
Fitting On Pump For Connecting Hose	LSTL25		125 85.802.015	125 85.802.015	125 85.802.015
Coupling - Pump Side (1/2" Bore)	LSTL27		125 85.802.070	125 85.802.070	125 85.802.070
- Machine Side (3/4" Bore)	LSTL27	85.802.092	125 85.802.016	125 85.802.016	
- Machine Side (1" Bore)	LSTL27		125 85.802.017	125 85.802.017	125 85.802.017
- Red Spider between couplings	LSTL27		125 85.802.076	125 85.802.076	125 85.802.076
Cylinder & Parts					
Splitter Cylinder	LSTL5		125 85.802.081	125 85.802.003	125 85.802.004
Splitter Pin Cylinder Mount	LSTL6		125 85.802.005	125 85.802.005	125 85.802.005
Splitter Washer M20	LSTL7		125 85.802.006	125 85.802.006	125 85.802.006
Splitter Pin Cotter 4x35mm	LSTL8		125 85.802.007	125 85.802.007	125 85.802.007
Splitter Hydraulic Hose for A Capacity	LSTL9		125 85.802.008	125 85.802.008	125 85.802.008
Filter					
Fitting On Filter For Oil Return Hose	LSTL49		125 85.802.028	125 85.802.028	125 85.802.028
Filter Cap	LSTL50		125 85.802.029	125 85.802.029	125 85.802.029
Oil Filter (Hydraulic)	LSTL51		125 85.802.030A	125 85.802.030A	125 85.802.030B
Filter Hydraulic L Tank	LSTL46		125 85.802.026	125 85.802.026	125 85.802.026
O Ring on Oil Filter Bracket	Near 49		125 85.802.029	125 85.802.029	125 85.802.029
Oil Suction Hose	LSTL47		125 85.802.027	125 85.802.027	125 85.802.027
Gasket Kit 1 for Oil Suction Hose (Res. - Pump) and In.Filter	GK1		125 85.802.056	125 85.802.056	125 85.802.056
Gasket Kit 2 for Oil Conn. Hose and Adapter (Pump Valve)	GK2		125 85.802.057	125 85.802.057	125 85.802.057
Splitter Hydraulic Adapter, Fitting for B Capacity	LSTL12		125 85.802.009	125 85.802.009	125 85.802.009
Splitter Valve with Control Handle	LSTL13		125 85.802.010	125 85.802.010	125 85.802.010
Splitter Valve - Cast End cap	LSTL13A		125 85.802.088	125 85.802.088	125 85.802.088
Connecting Hydraulic Hose	LSTL14		125 85.802.011	125 85.802.011	125 85.802.011
Hydraulic Adapter, Fitting on Valve For Conn. Hose	LSTL15		125 85.802.012	125 85.802.012	125 85.802.012
Oil Return Hose	LSTL17		125 85.802.013	125 85.802.013	125 85.802.013
Fitting For Oil Return Hose	LSTL20		125 85.802.014	125 85.802.014	125 85.802.014
Mount Pump Hydraulic	LSTL29		125 85.802.018	125 85.802.018	125 85.802.019
Oil Reservoir	LSTL41		125 85.802.020	125 85.802.020	125 85.802.021
Oil Bottle (15L)	LSTL41	125 85.802.089	125 85.802.089	125 85.802.089	
Oil Reservoir Capacity	LSTL41	14 Litre	14 Litre	14 Litre	21 Litre
Vented Dipstick	LSTL42	125 85.802.093	125 85.802.093	125 85.802.093	125 85.802.093
Gasket Kit 5 for Dipstick	GK5		125 85.802.060	125 85.802.060	125 85.802.060
O-Ring 15x3.1mm	LSTL43		125 85.802.023	125 85.802.023	125 85.802.023
Oil Drain Screw	LSTL44		125 85.802.024	125 85.802.024	125 85.802.024
O-Ring 20x5.4mm	LSTL45		125 85.802.025	125 85.802.025	125 85.802.025
Support Fender	LSTL52		125 85.802.031	125 85.802.031	125 85.802.031
Wheel Fender	LSTL56				
Engine Protection Plate	na				125 85.802.078
Wheel	LSTL57		125 85.802.032	125 85.802.032	125 85.802.032
Assembly Rod Tray Log	LSTL87.1		125 85.802.033	125 85.802.033	125 85.802.033
Support Tray Log 1	LSTL87.2		125 85.802.034	125 85.802.034	125 85.802.034
Support Tray Log 2	LSTL87.3		125 85.802.035	125 85.802.035	125 85.802.035
Endplate Tray Log	LSTL87.4		125 85.802.036	125 85.802.036	125 85.802.036
Nut Acorn	LSTL87.5		125 85.802.037	125 85.802.037	125 85.802.037
Wedge 4 Way			125 85.802.038	125 85.802.038	125 85.802.038
Bracket Mounting			125 85.802.039	125 85.802.039	125 85.802.039
Bolt HCS M8-1.25x45			125 85.802.040	125 85.802.040	125 85.802.040
Nut Nylon Lock	LSTL101		125 85.802.041	125 85.802.041	125 85.802.041
Bolt HCS M8-1.25x20			125 85.802.042	125 85.802.042	125 85.802.042
Washer Lock M8	LSTL103		125 85.802.043	125 85.802.043	125 85.802.043
Washer M8	LSTL104		125 85.802.044	125 85.802.044	125 85.802.044
Hardware Kit Support, Fender (2) Bolt, HCS, M8-1.25, CL8.8, ZP (8) Washer, M8 (16), Nut, Nylon Lock, M8-1.25(8)	HK1		125 85.802.045	125 85.802.045	125 85.802.045
Hardware Kit (2) Nut, Slotted, 1-14, ZP(2) Pin, Cotter, 4x35mm (2) Cap, Dust(2)	HK2		125 85.802.046	125 85.802.046	125 85.802.046
Hardware Kit, Bracket, Horizontal Beam Lock (1), Bolt, HCS, M10-1.5x80, CL8.8, ZP (4), Washer, M10 (8), Nut, Nylon Lock, M10-1.5 (4)	HK3		125 85.802.047	125 85.802.047	125 85.802.047
Hardware Kit, Bolt, HCS, M8-1.25x40, CL8.8, ZP, 22/28T (4), Washer, M8 (8), Nut, Nylon Lock, M8-1.5, 22T, 28T (4)	HK5-1		125 85.802.050	125 85.802.050	125 85.802.050
Hardware Kit, Bolt, HCS, M10-1.25x40, CL8.8, ZP, 22/28T (4), Washer, M8 (8), Nut, Nylon Lock, M10-1.25, 34T(4)	HK5-2		125 85.802.051	125 85.802.051	125 85.802.051
Hardware Kit, Bolt, HCS, M12-1.75x45, CL8.8, ZP (4) Washer, M12 (8) Nut, Nylon Lock, M12-1.75 (4) Bolt, HCS, M10-1.5x30, CL8.8, ZP (4), Washer, M10 (8), Nut, Nylon Lock M10-1.5 (4)	HK6		125 85.802.052	125 85.802.052	125 85.802.052
Nut Nylon Lock M16-2			125 85.802.053	125 85.802.053	125 85.802.053
Control Handle Grip			125 85.802.054	125 85.802.054	125 85.802.054
Wire Harness for Lights			125 85.802.055	125 85.802.055	125 85.802.055
Gasket Kit 3 for Hyd. Hose for A Capacity & Adap.	GK3		125 85.802.058	125 85.802.058	125 85.802.058
Gasket Kit 4 for Oil Return Hose (Valve-Res.) and Outlet Filter Adapter, Filter Cap (Ref. #17, 49, 50) / O Seal Ring #20, Diam. 15x1.9 (1) / O Seal Ring #49, D15x1.9 (1) / O Seal Ring #49, D30x3.1 (1) / O Seal Ring #50, D33x3.1	GK4		125 85.802.059	125 85.802.059	125 85.802.059